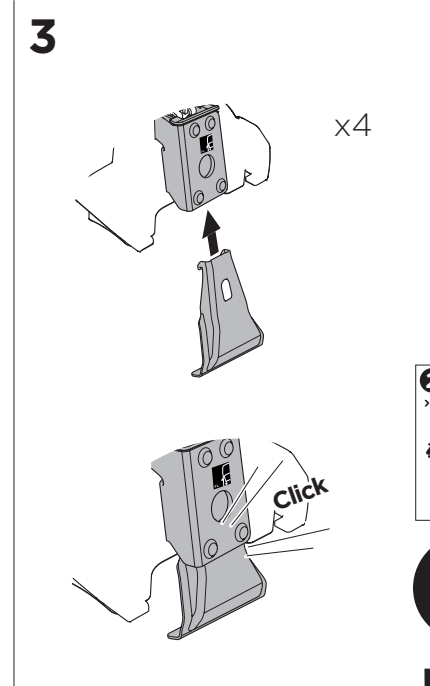
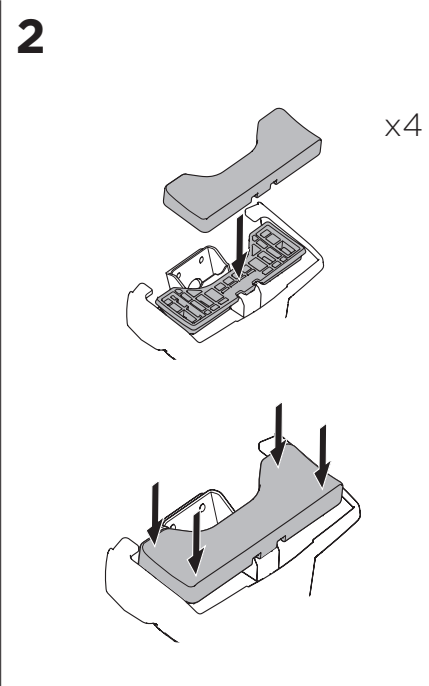
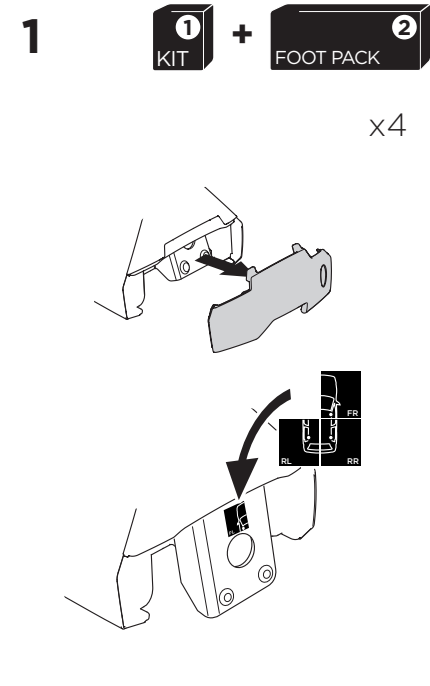
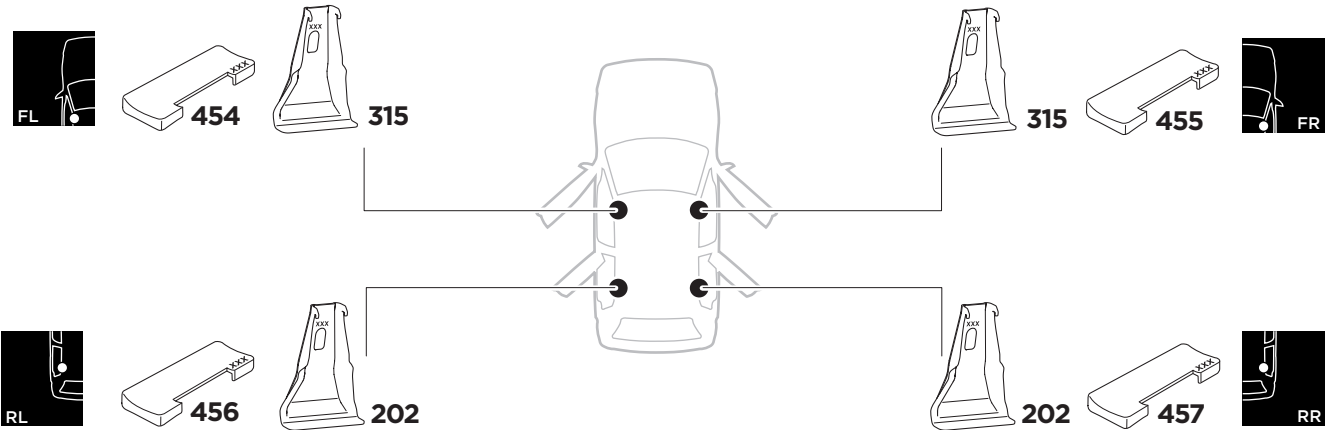
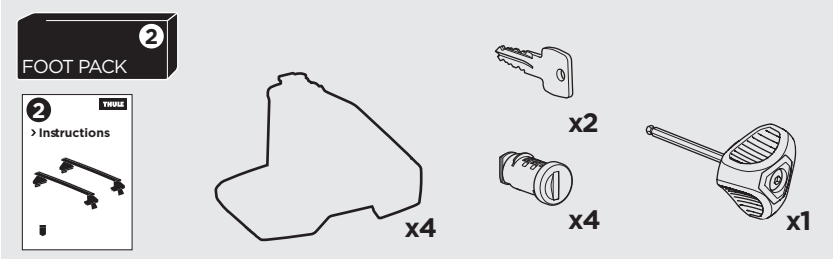
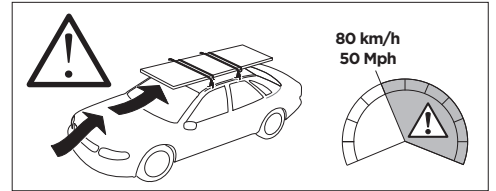
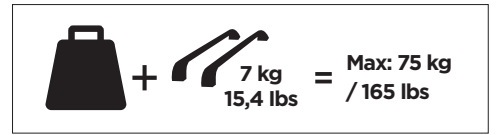
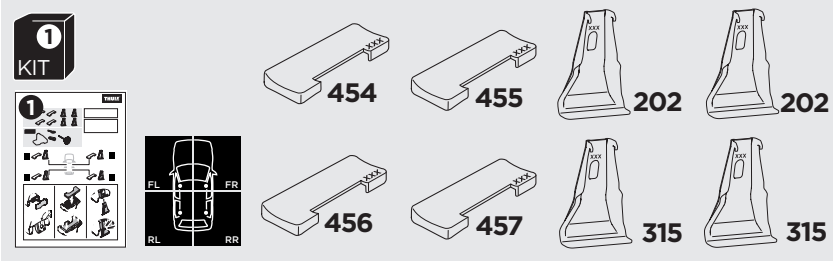


1

Kit 5150 KIA Optima, 4-dr Sedan, 16-



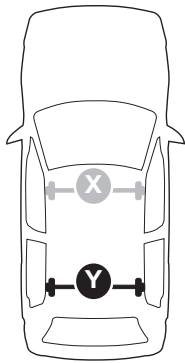
ISO 11154-E





THULE WingBar Evo	THULE WingBar Edge	THULE WingBar	THULE SquareBar	Evo X (scale)	Edge X (scale)
KIA Optima, 4-dr Sedan, 16-				41,5	N

THULE ProBar	THULE SlideBar	X (mm/inch)		
KIA Optima, 4-dr Sedan, 16-		1066 mm / 42"		



THULE WingBar Evo	THULE WingBar Edge	THULE WingBar	THULE SquareBar	Evo Y (scale)	Edge Y (scale)
KIA Optima, 4-dr Sedan, 16-				37,5	D

THULE ProBar	THULE SlideBar	Y (mm/inch)		
KIA Optima, 4-dr Sedan, 16-		1026 mm / 40 3/8"		

	W (mm/inch)	Z (mm/inch)
KIA Optima, 4-dr Sedan, 16-	700 mm / 27 1/2"	270 mm / 10 5/8"

